

PRODUCT INFORMATION PACKET

Model No: 056B34D5326

Catalog No: J038

Jet Pump Motor, 2 HP, 1 Ph, 60 Hz, 115/208-230 V, 3600 RPM, 56J Frame, DP



Regal and Marathon are trademarks of Regal Rexnord Corporation or one of its affiliated companies.

©2024 Regal Rexnord Corporation, All Rights Reserved. MC017097E



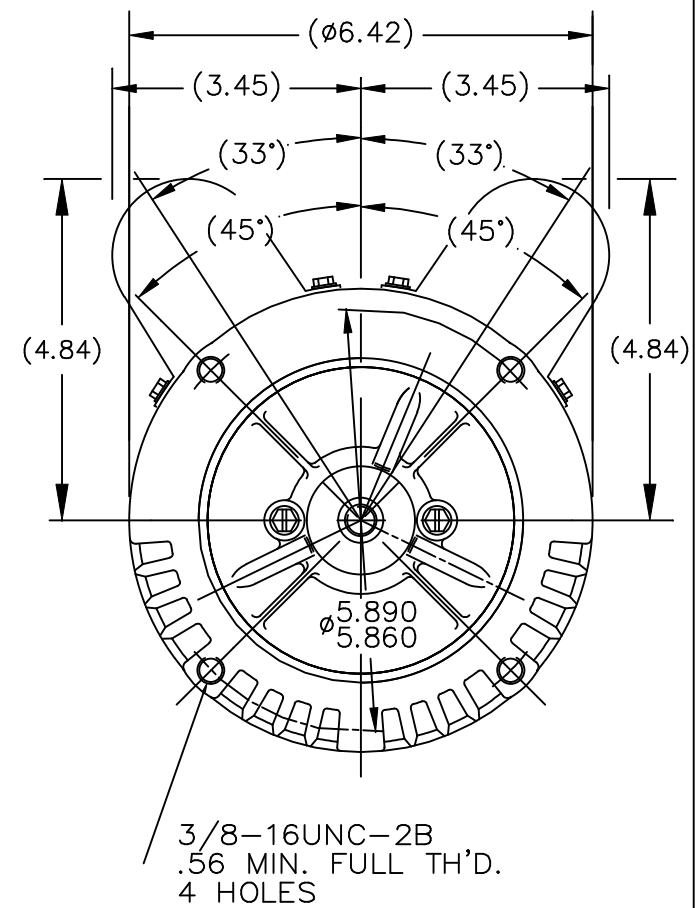
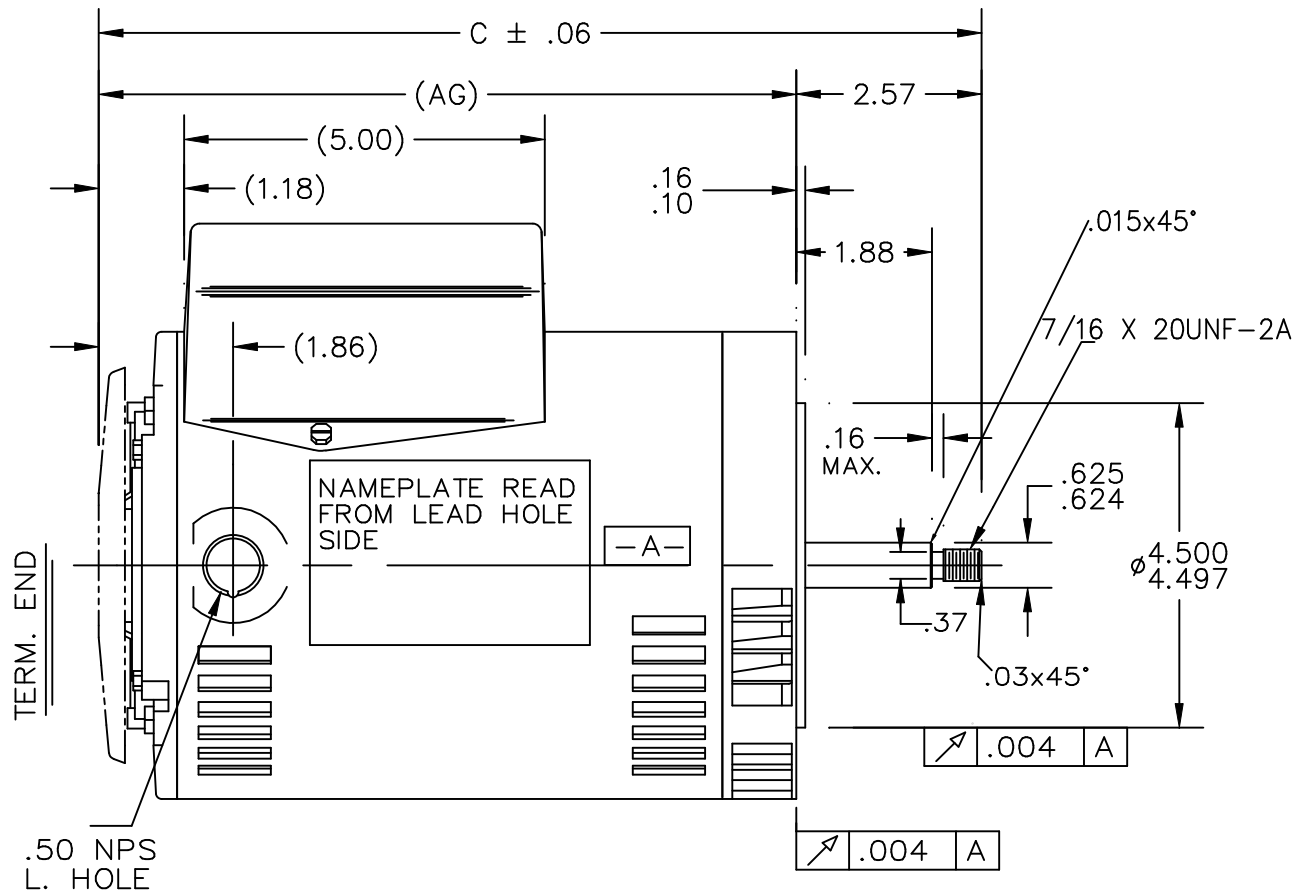
Nameplate Specifications

Phase	1	Output HP	2 Hp
Output KW	1.5 kW	Voltage	115/208-230 V
Speed	3450 rpm	Service Factor	1.2
Frame	56J	Enclosure	Drip Proof
Thermal Protection	Automatic	Efficiency	80 %
Ambient Temperature	40 °C	Frequency	60 Hz
Current	18.2/9.8-9.1 A	Power Factor	87.5
Duty	Continuous	Insulation Class	B
Design Code	NO DESIGN CODE	KVA Code	F
Drive End Bearing Size	6203	Opp Drive End Bearing Size	6203
UL	Recognized	CSA	Y
CE	Y	IP Code	22
Number of Speeds	1		

Technical Specifications

Electrical Type	Capacitor Start Capacitor Run	Starting Method	Across The Line
Poles	2	Rotation	Fixed Clockwise
Resistance Main	0 Ohms	Mounting	Round
Motor Orientation	Horizontal	Drive End Bearing	Ball
Opp Drive End Bearing	Ball	Frame Material	Rolled Steel
Shaft Type	J	Overall Length	12.24 in
Frame Length	7.56 in	Shaft Diameter	0.630 in
Shaft Extension	2.57 in	Assembly/Box Mounting	F1 ONLY
Outline Drawing	A-100332-756	Connection Drawing	102006-17

This is an uncontrolled document once printed or downloaded and is subject to change without notice. Date Created:02/19/2024



DASH	FR.	C	AG		DASH	FR.	C	AG	
					806	56-80	12.74	10.17	
					856	"-85	13.24	10.67	
					906	"-90	13.74	11.17	
756	"-75	12.24	9.67		956	"-95	14.24	11.67	

NO.	REVISION	BY & DATE	CHK	TOLERANCES UNLESS SPECIFIED	
				DEC.	INCHES
3	ADDED DRIP COVER A-102104 TO MOTOR CN 32058	ERH 01-29-2003	ML	.XX	±.03
2	ADDED .015X45 CHAMFER CN 23026	MRB 10-11-1996		.XXX	±.005
1	NEW DRAWING 3640694	GK 11-28-1989		.XXXX	±.0005
				ANG	±7'30"



TITLE OUTLINE
56 FR. - BB - DR.PR. - C'FACE - 10
MAT'L.
FINISH

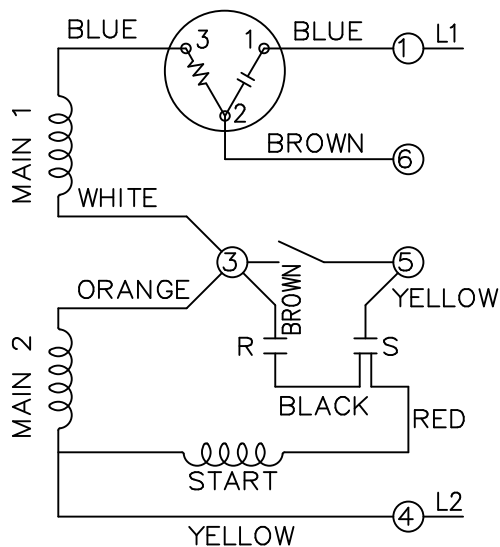
DRAWN GK 11-28-1989
CHK MTB 12-07-1989
APPD FG 12-07-1989
SCALE 3=8
REF
FMF
PREV

THIS DRAWING IN DESIGN AND DETAIL IS OUR PROPERTY AND MUST NOT BE USED EXCEPT IN CONNECTION WITH OUR WORK ALL RIGHTS OF DESIGN AND INVENTION ARE RESERVED THIS IS AN ELECTRONICALLY GENERATED DOCUMENT - DO NOT SCALE THIS PRINT

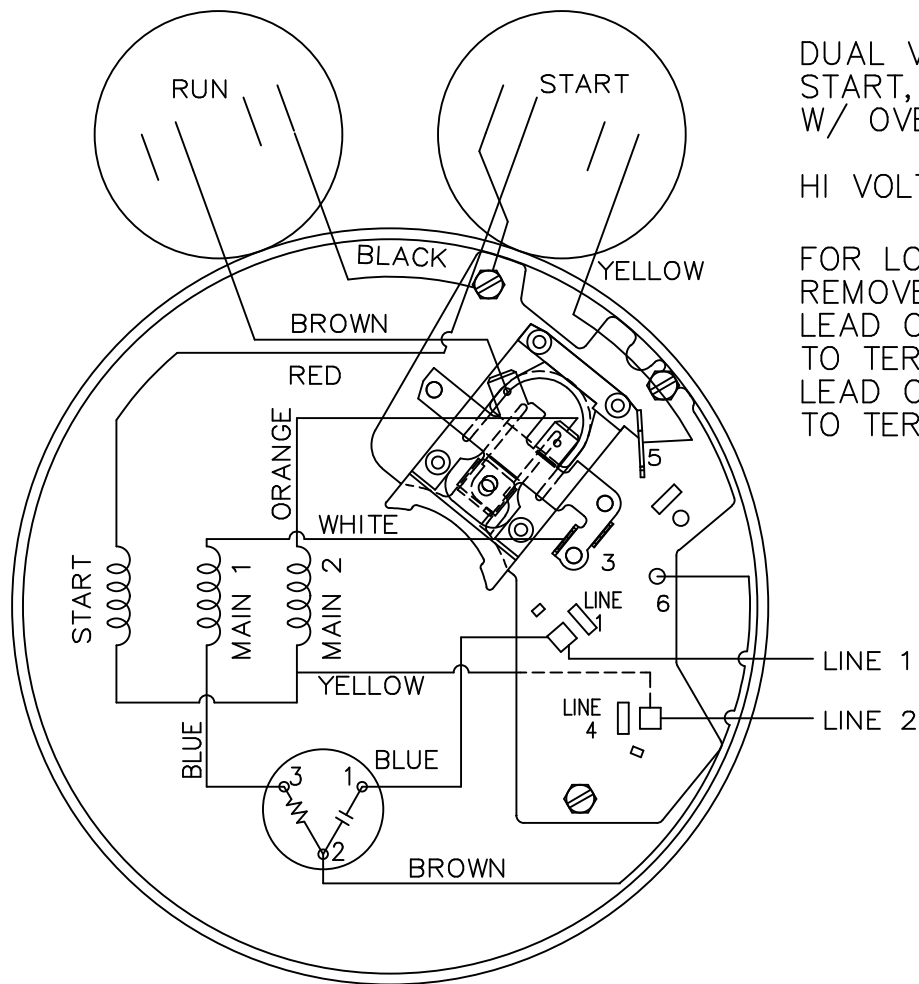
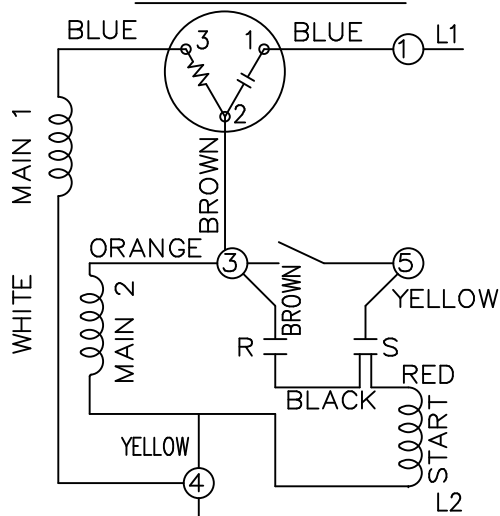
RFP
DIST WP
CAD FILE 100332

SIZE A	DRAWING NO. 100332	PAGE OF	REV. 3
--------	--------------------	---------	--------

HI VOLTAGE CW



LOW VOLTAGE CW



DUAL VOLTAGE CAPACITOR
START, CAPACITOR RUN
W/ OVERLOAD, CW FIXED ROT.

HI VOLTAGE

FOR LOW VOLTAGE
REMOVE WHITE
LEAD ON TERM. #3 & ATTACH
TO TERM. #4. REMOVE BROWN
LEAD ON TERM. #6 & ATTACH
TO TERM. #3.

				TOLERANCES UNLESS SPECIFIED		MARATHON ELECTRIC	DRAWN BLR 04-24-1996	
				DEC.	INCHES		CHK	ML 04-26-1996
				.X	±.1	TITLE CONNECTION DIAGRAM	APPD	GK 04-26-1996
				.XX	±.02		SCALE	5=8
2	UPDATED ROTATION NOTES CN 32345	DRS 07-24-2003	ML	.XXX	±.005		REF	
1	REDRAWN ON CADD	BLR 04-26-1996		.XXXX	±.0005	MAT'L.	FMF	
NO.	REVISION	BY & DATE	CHK	ANG	±7'30"	FINISH	PREV	
THIS DRAWING IN DESIGN AND DETAIL IS OUR PROPERTY AND MUST NOT BE USED EXCEPT IN CONNECTION WITH OUR WORK ALL RIGHTS OF DESIGN AND INVENTION ARE RESERVED THIS IS AN ELECTRONICALLY GENERATED DOCUMENT - DO NOT SCALE THIS PRINT				RFP		CAD FILE 102006-17	SIZE	DRAWING NO. PAGE OF REV.
				DIST	WP		A	102006-17 2

EC Declaration of Conformity

The undersigned representing
the manufacturer:

Regal Beloit America
100 East Randolph St.
Wausau, WI 54401

and the authorized representative
established within the Community:

Marathon Electric UK
6F Thistleton Road Ind. Estate
Market Overton
Oakham, Rutland LE15 7PP UK

are committed to providing customers with products that comply with applicable regulations and international protocols to which they are subject, including the requirements of the European Parliament Directive on the Harmonization of the laws relating to electrical equipment designed for use within certain voltage limits (2014/35/EU).

Regal Beloit America declares that the following product(s), to which this declaration relates, are in conformity with the relevant sections of the EC standards listed below.

This statement supersedes any statements previously issued pertaining to the product(s) listed below and is subject to change without notice.

Model No : 056B34D5326

(Model No. may contain prefix and/or suffix characters)

Catalog No : J038

Rework No : N/A

Directives :

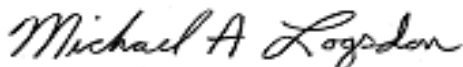
Low Voltage Directive 2014/35/EU

Harmonized Standards Used :

EN 60034-1: 2010 (IEC 60034-1: 2010)


EN 60034-5: 2001/A1:2007 (IEC 60034-5: 2000/A1:2006)

Authorized Representative:



Michael A. Logsdon
Vice President, Technology

Authorized Representative in the Community:



Julian Clark
Marketing Engineer

Created on 09/06/2022

CE 22